

MOTORLOCK 9524



The 9524 provides for electric or manual locking / unlocking of swinging doors. It can be operated from a remote location or by key at the door. For additional security, it is recommended that the 9524 lock be used with an Airtec high security door position sensor.

APPLICATION:

Swinging door lock for entrances, safety vestibules, corridors, and inmate housing areas and swinging gate applications, suitable for exterior locations. Retrofit application lock tubes area available.

SECURITY LEVEL:

ASTM F 1577 Grade 2, Grade 1 optional

KEY CYLINDER:

Builders / Mortise pin tumbler (Sold Separately)

MOUNTING:

Jamb mounted in 2" frame

FIRE RATING:

UL10B - 3 Hour

STANDARD OPERATION

- Latch bolt retracts when momentary signal is applied to the lock and remains retracted for a specified interval, at which time the latchbolt extends, locking the door if closed, or allowing the door to be slam-locked if open.
- Accepts a mortise key cylinder to allow for manual mechanical unlocking of the lock by key at the opening.
- Fail secure, unlocks when energized.

STANDARD FEATURES

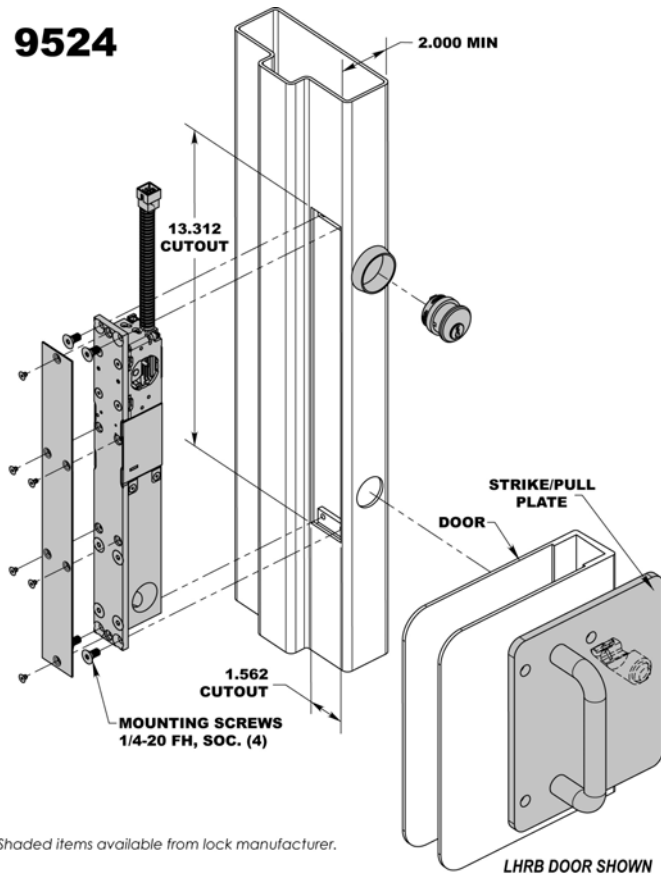
- Latch bolt has a full 3/4" throw
- Slam-locking
- Latchbolt switch indicates latchbolt position
- Keyed one or two sides
- Strike/Pull plate with factory installed bolt
- Quick connect air and electrical connectors
- Factory wired field-side pigtail
- Bright zinc and stainless steel parts
- Security ring, supplied unfinished to HM manufacturer for frame installation and prime painting
- Stainless steel faceplate furnished with tamper resistant screws
- Bayonet style cylinder attachment for quick installation/removal.



3224 Mobile Highway, Montgomery, AL 36108
Phone: 800-633-1968 Fax: (334) 288-5485

TECHNICAL SPECIFICATIONS

9524



- **Body:** All steel construction
- **Mounting Plate:** 3/16", 1018 cold rolled steel, bright zinc plated
- **Faceplate:** Stainless Steel (US32D) with tamper resistant screws
- **Dimensions:** 1 1/2" x 13 1/4" x 1 3/4"
- **Latchbolt:** High strength alloy steel, hardened to RC 60
- **Latchbolt Throw:** 3/4" - Flush when retracted
- **Deadlock Actuator:** Plunger type, 1018 cold rolled steel hardened to RC 32
- **Lock Status Switch:** 5 amp rated, UL recognized
- **Electrical Power Consumption:** 36 watt max. at 24 VDC, 1.5 amps
- **Motor:** 2 phase, bi-polar, brushless linear actuator
- **Operating Range:** 24 VDC ± 2VDC
- **Electrical Connector:** Quick connector with color coded wiring harness
- **Latchbolt Shear Strength:** 20,000 pounds
- **Strike/Keeper:** 1/8" hardened 1018 cold rolled steel, nickel plated with tamper resistant screws
- **UL10B:** 1 1/2 hour fire rating
- **ASTM F 1577 Lock Function C200-P24**

HOW TO SPECIFY AND ORDER AN AIRTEQ 9524 LOCK

WHEN SPECIFYING . . .										
MODEL NO.	X	"K1" OR "K2"	X	FINISH	X	OPTIONAL FEATURES				
** WHEN ORDERING . . .										
MODEL NO.	X	SWING CODE	X	FINISH	X	OPTIONAL FEATURES	X	JAMB DEPTH (WHERE REQ'D)	X	DOOR THK.
EXAMPLE A:										
WHEN SPECIFYING . . .										
9524 X K2 X US32D X RLHB										
** WHEN ORDERING . . .										
9524 X 01 X US32D X RLHB X 9"JD X 2"DR.										
EXAMPLE B:										
WHEN SPECIFYING . . .										
9524 X K1 X US4 X ELHB										
AND SPECIFICATION READS . . .										
** WHEN ORDERING . . .										
9524 X 03 X US4 X ELHB X KS X 2"DR.										
** TEMPLATE NO. AND LATEST REVISIONS SHOULD BE COORDINATED WITH THE DOOR AND FRAME MANUFACTURER.										

SWING/HAND CHART

SWING CODE	DOOR HAND DIAGRAM
01 LHRB	
02 RHRB	
03 LHRB	
04 RHRB	
05 RH	
06 LH	

Optional Features

- ◆ **GR1** - ASTM Grade 1 Rating: Meets ASTM F1577 Grade 1 impact standards
- ◆ **KCE** - Key Cylinder Extension: Recommended for locks keyed stop side or keyed two sides.

Optional Functions

- ◆ **KS** - Key Switch: Door is electrically unlocked by key operated switch at the lock.
- ◆ **KLHB** - Key operated Latch HoldBack: Latch is retracted locally by key and remains mechanically retracted until relocked by key.
- ◆ **ELHB** - Emergency Latch HoldBack: Latchbolt is retracted remotely and remains mechanically retracted until relocked at the door by key (includes KLHB feature).

NOTE: PLEASE CONTACT AIRTEQ WHEN MORE THAN ONE FUNCTION IS REQUIRED ON THE SAME LOCK.

Warranty

Airteq warrants its products against defects in material or workmanship for one year from the time of delivery. Airteq's sole obligation under the warranty is to repair, or at its option, to replace the product. The buyer shall have no other remedy. (All special, incidental and coincidental damages are excluded.) Written notice of breach of warranty must be given to Airteq within the warranty period. The warranty does not cover damages resulting from improper installation or maintenance, accident or misuse. NO OTHER WARRANTIES AS TO MERCHANTABILITY OR OTHERWISE ARE MADE. A continuing product research program is ongoing. Airteq reserves the right to incorporate products and specification changes at any time without notice.